

Product Description

- High luminous efficacy
- Ultimate 1 to 1 replacement for 2kW HID
- Glare free & No light pollution from Narrow beam reflector
- Flicker free proven upto 1,500 fps ultra slow-motion
- High CRI & R9 Content better visibility
- Tilt and rotate for easy aiming
- Linkage with wired control system even for event light control

Application

- Sports Stadium / Complex / Facilities
- Indoor Venues
- Port / Harbor

Certification

- UL
- CE
- FCC
- PSE
- RCM
- KC



[SFA1K2 / SFA800]

SUFA-A Series Specifications

Model Name	SFA1K2			SFA1K0			SFA800			
Power Consumption	1,200W (600W x 2modules)			1,000W (500W x 2modules)			800W (800W x 1module)			
CCT	5000K (5700K / 4000K / 3000K available)									
Luminous Flux *	120,000 lm	126,000 lm	132,000 lm	100,000 lm	105,000 lm	111,000 lm	80,000 lm	84,000 lm	88,000 lm	
Luminous Efficacy *	100 lm/W	105 lm/W	110 lm/W	100 lm/W	105 lm/W	110 lm/W	100 lm/W	105 lm/W	110 lm/W	
CRI	90 Ra	80 Ra	70 Ra	90 Ra	80 Ra	70 Ra	90 Ra	80 Ra	70 Ra	
LED Driving Current	1,000 mA			850 mA			1,000 mA			
Light Distribution	15° / 30° / 45°									
Input Voltage	DC100V (through RED)						DC200V (through BLU)			
Fixture Manufacturer	GigaTera Inc. (Made in Korea)									
Weight (Exclude Driver)	39.7 lb / 18.0 kg						28.6 lb / 13.0 kg			
Material	Body	Cast Aluminum								
	Optic	AL Coating Reflector								
	Cover	Tempered Glass 3.2T (Clear), Anti UV & Dust, Shatter Proof						Tempered Glass 4.0 T (Clear), Anti UV & Dust, Shatter Proof		
Finish	Powder Coating									
IP Rating	IP66									
Effective Projected Area	Front (ft² / m²)	2.335 / 0.217						1.520 / 0.141		
	Side (ft² / m²)	1.824 / 0.170						0.880 / 0.082		
Operating Temperature	-22°F ~ 131°F / -30°C ~ 55°C									
Warranty	5 Years (12 hours usage per day)									

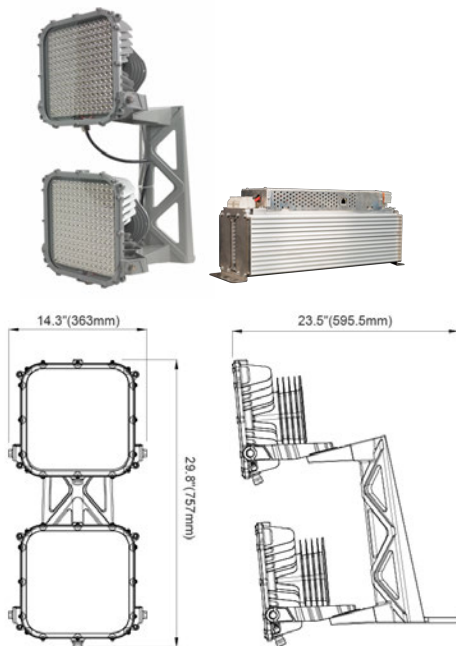
* Tolerance : ± 5%

Remote Driver Specifications

Model Name	RED1K2	RED1K0	BLU800
Power Consumption	1,200W	1,000W	800W
Compatible Model	SFA1K2	SFA1K0	SFA800
Input Voltage	200 ~ 277 Vac / 347 ~ 480 Vac		
Output Voltage	DC100V		DC200V
Input Current	Max. 7.6A (@200 Vac)		Max. 5.0A (@200 Vac)
	Max. 5.0A (@347 Vac)		Max. 3.5A (@347 Vac)
Power Factor	≥0.9 at Max load		
Frequency	50 / 60 Hz		

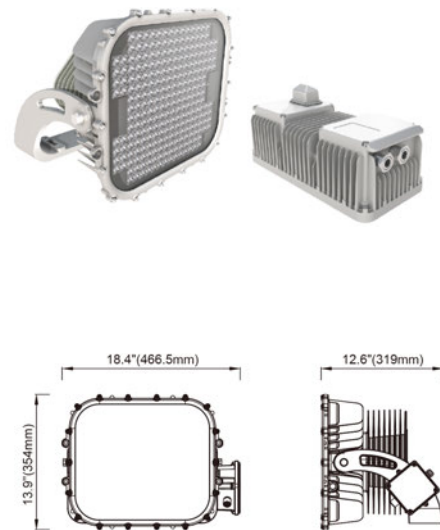
Surge Protection		Line – Line 20kV, Line – FG 20kV	
Fixture Manufacturer		GigaTera Inc. (Made in Korea)	
Weight	Exclude IP box	28.7 lb / 13.0 kg	22.0 lb / 10.0 kg
	Include IP box	44.1 lb / 20 kg	
Option	Control	Wired (RS-485, DMX-512)	Wired (RS-485, DMX-512), Wireless (Zigbee), NEMA-7
IP Rating		IP66 (When IP box applied)	IP66
Warranty		5 Years (12 hours usage per day)	

SUFA-A 1,200W / 1,000W



Size	14.3 x 29.8 x 23.5 (inch)
	363.0 x 757.0 x 595.5 (mm)

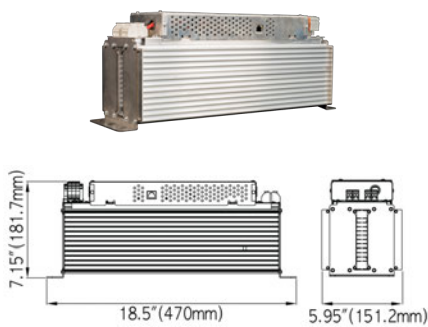
SUFA-A 800W



Size	18.4 x 13.9 x 12.6 (inch)
	466.5 x 354.0 x 319.0 (mm)

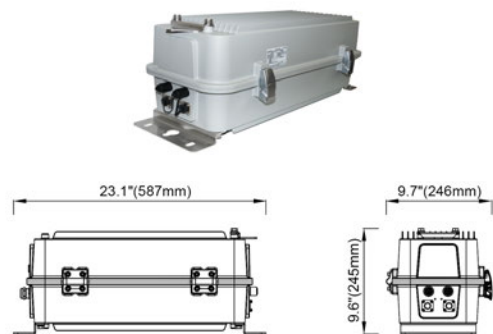
Remote Driver Dimension

RED (Wired)




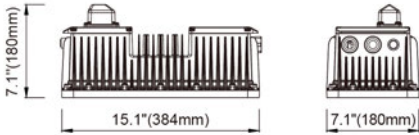
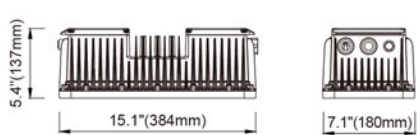
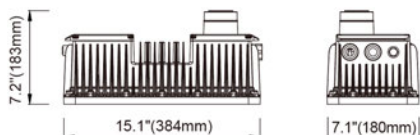


Size	18.5 x 6.0 x 7.2 (inch)
	470.0 x 151.2 x 181.7 (mm)

RED IP66 BOX (Optional)

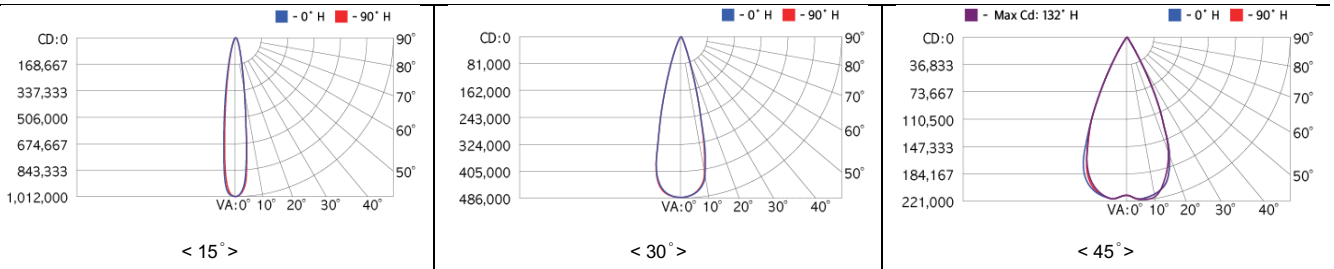


Size	23.1 x 9.7 x 9.7 (inch)
	587.0 x 246.0 x 246.0 (mm)

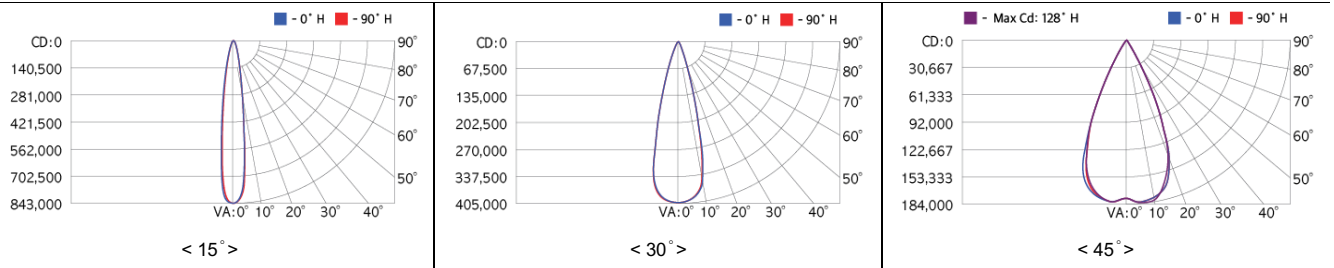
BLU (Wireless)		BLU (Wired)		BLU (NEMA-7)	
					
					
Size	15.1 x 7.1 x 7.1 (inch) 384.0 x 180.0 x 180.0 (mm)	Size	15.1 x 7.1 x 5.4 (inch) 384.0 x 180.0 x 137.0 (mm)	Size	15.1 x 7.1 x 7.2 (inch) 384.0 x 180.0 x 183.0 (mm)

Photometry Data

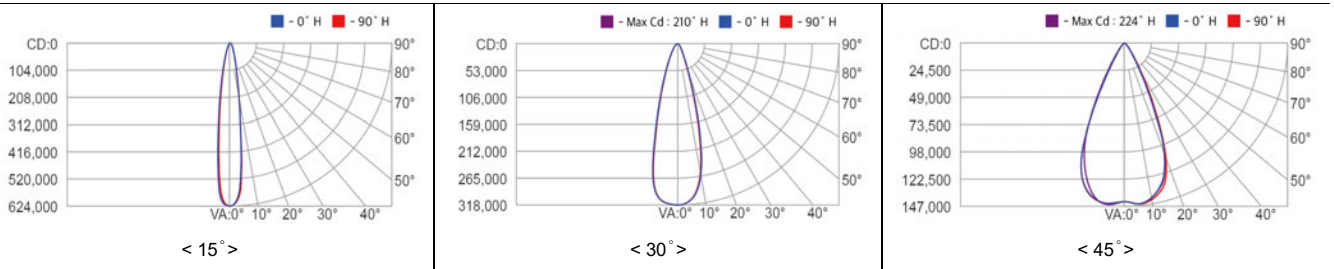
SFA1K2 / 5000K / 80Ra



SFA1K0 / 5000K / 80Ra



SFA800 / 5000K / 80Ra



Control System (Optional)

Wireless Control		ZigBee	
Input Voltage	15 Vdc		
Max. Power Consumption	0.3W (@15 Vdc)		
Standard	2.4 GHz – IEEE 802.15.4 (Compatible)		
Network	Mesh		
RF Tx Power	Max. +8 dBm (Typ. 5 dBm)		
Data Rate	250 kbps		
Security	128 bit AES Encryption Algorithms		
Antenna	Omni Type, 2 dBi		
Wired Control		RS-485	DMX-512
Input Voltage	15 Vdc		
Max. Power Consumption	0.2W (@15 Vdc)		
Communication Method	RS-485	DMX-512	
Data Rate	115200 bps, 8-N-1	250,000 bps, 8-N-2	
NEMA-7			
Mechanical	7 Position : 3 Power Contacts + 4 dimming/Signal Contacts		
Electrical	Power Contacts. 15A, Max.480Vac/dc		
	Dimming Contacts. 0.10A, Max.10Vac/dc		
Model Name	TE, 2213362-4(ANSI C136.41-2013 Dimming Receptacle)		
	te.com		

Ordering Information

Ordering Code Usage : SFA1K2-H500157

SFA	○○○	-	○	○○	○○○	○
	Power Consumption		Input Voltage	CCT (K)	Beam Angle	CRI
	1K2 = 1,200W 1K0 = 1,000W		V = DC100V	57 = 5700K 50 = 5000K 40 = 4000K	045 = 45° 030 = 30° 015 = 15°	9 = 90 Ra 8 = 80 Ra 7 = 70 Ra
	800 = 800W		X = DC200V	30 = 3000K		

Ordering Information

Ordering Code Usage : RED1K2-HVW

RED	○○○	-	○	○	○
	Power Consumption		Input Voltage	Output Voltage	Control System
	1K2 = 1,200W 1K0 = 1,000W		H = AC200 ~ 277V C = AC347 ~ 480V	V = DC100V	W = Wired(RS-485) M = Wired(DMX-512)

Ordering Information

Ordering Code Usage : BLU800-HXW

BLU	○○○	-	○	○	○
	Power Consumption		Input Voltage	Output Voltage	Control System
	800 = 800W		H = AC200 ~ 277V C = AC347 ~ 480V	X = DC 200V	W = Wired(RS-485) M = Wired(DMX-512) Z = Wireless(Zigbee) G = NEMA-7