

Product Description

- Can send uniform light distribution even at long distance
- High luminous efficacy 105 lm/W
- Tilting structure for optimized aiming (Upward : 90°, Downward : 90°)
- Dimming control using wireless and wired communication
- Outstanding cooling technology and durability

Application

- Sporting Facilities
- Airplane Hangars & Aprons
- Airport Aprons
- Parking Lots
- Harbour
- Yard

Certification

- UL



SUMA 400 Specifications

Model Name	SMA400		
Power Consumption	400W		
Driver Type	Remote Type	Built-in Type	
CCT	5000K (4000K / 3000K available)		
Luminous Flux *	42,000 lm		
Luminous Efficacy *	105 lm/W		
CRI	70 Ra		
LED Driving Current	333 mA		
Light Distribution	Asymmetric Wide		
Input Voltage	200 ~ 277 Vac / 347 ~ 480 Vac	200 ~ 277Vac	
Input Current	Max. 2.5 A(@200Vac) Max. 1.9 A(@347Vac)	Max. 2.5 A(@200Vac)	
Power Factor	≥0.9 at Max load		
Frequency	50 / 60 Hz		
Surge Protection	Line – Line 20kV, Line – FG 20kV		
Driver Type	Constant Current (CC)		
Fixture Manufacturer	GigaTera Inc. / Made in Korea		
Size	inch	18.6 x 14.8 x 13.9	18.6 x 14.8 x 14.2
	mm	472.4 x 376.7 x 353.8	472.0 x 377.0 x 360.0
Weight (Driver excluded)	22.7 lb / 10.3 Kg		27.6 lb / 12.5 Kg
Material	Body	Cast Aluminum	
	Optic	AL Coating Reflector	
	Cover	Tempered Glass 4.0T (Clear)	
Finish	Powder Coating		
IP Rating	IP66		
Effective Projected Area	Front (ft² / m²)	1.517 / 0.1409	1.650 / 0.1533
	Side (ft² / m²)	0.655 / 0.0608	0.828 / 0.0769
Operating Temperature	-22°F ~ 131°F / -30°C ~ 55°C		
Option	Control	Wired (RS-485, DMX512)	Wireless (ZigBee)
	Mounting	Swivel Bracket	
Warranty	5 Years (8 hours usage per day, 25°C)		

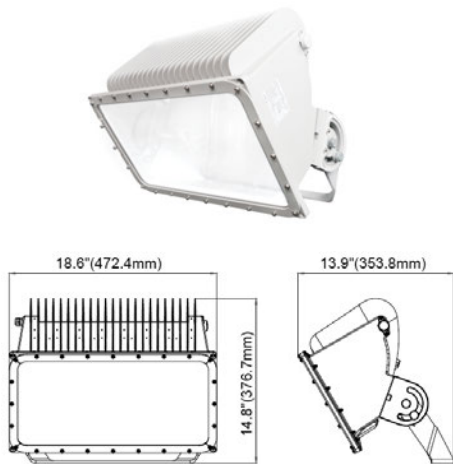
* Tolerance : ± 5%

Remote Driver Specifications



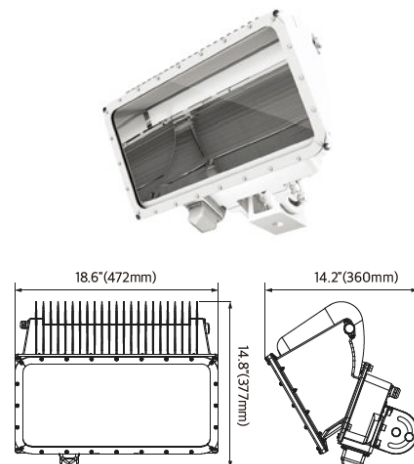
Model Name	RED	
Power Consumption	1.3kW	
Input Voltage	200 ~ 277 Vac	347 ~ 480 Vac
Input Current	Max. 7.6A (@200 Vac)	Max. 5.0A (@347 Vac)
Surge Protection	Line – Line 20kV, Line – FG 20kV	
Driver Manufacturer	GigaTera Inc.	
Size	7.15 x 5.95 x 18.5 (inch) / 181.7 x 151.2 x 470.0 (mm)	
Weight	28.7 lb / 13.0 kg	

SUMA 400W (Remote Driver type)



Size	18.6 x 14.8 x 13.9 (inch)
	472.4 x 376.7 x 353.8 (mm)

SUMA 400W (Built-in Driver type)









Size	18.6 x 14.8 x 14.2 (inch)
	472.0 x 377.0 x 360.0 (mm)

Control System (Optional)

Wireless Control		ZigBee	
Input Voltage	15 Vdc		
Max. Power Consumption	0.3W (@15 Vdc)		
Standard	2.4 GHz – IEEE 802.15.4 (Compatible)		
Network	Mesh		
RF Tx Power	Max. +8 dBm (Typ. 5 dBm)		
Data Rate	250 kbps		
Security	128 bit AES Encryption Algorithms		
Dimmer	PWM		
Antenna	Omni Type, 2 dBi		
Wired Control		RS-485	DMX-512
Input Voltage	15 Vdc		
Max. Power Consumption	0.2W (@15 Vdc)		
Communication Method	RS-485	DMX-512	
Data Rate	115200 bps, 8-N-1	250,000 bps, 8-N-2	
Dimmer Level	PWM		

Mount Bracket Installation Reference (Optional)

SMA400 (Remote Driver Type)

KMDLMBK010320	Ground Mounting (Basic)	KMDLMBK010250	Ground Mounting (Basic)
			 Upward 165° / Downward 15°
KETBKTLC1ZNN001	KMDLMBK010320 + KETBKTLC1ZNN001		
			

SMA400 (Built-in Driver Type)

KETBKTLC13G1007	KETBKTLC13G1007	KMDLMBK010430	Assembly
			
KETBKTLC13G1002	KETBKTLC13G1002	KETBKTLC13G1009	
			

Ordering Information

Ordering Code Usage : SMA400-V50WG1

SMA	000	-	O	OO	O	O
	Power Consumption		Input Voltage	CCT (K)	Control System	Fixture Color
	400 = 400W (Built-in Driver type)		H = 200 ~ 277Vac	50 = 5000K 40 = 4000K 30 = 3000K	Z = ZigBee N = None	G1 = Gray Powder
	400 = 400W (Remote Driver type)		V = 100Vdc		W = Wired(RS-485) M = Wired(DMX-512) N = None	

Ordering Information

Ordering Code Usage : RED1K2-HW1

RED	000	-	O	O	O
	Power Consumption		Input Voltage	Output Voltage	Control System
	1K2 = 1,200W		H = AC200 ~ 277V C = AC347 ~ 480V	V = DC100V	W = Wired(RS-485) M = Wired(DMX-512)