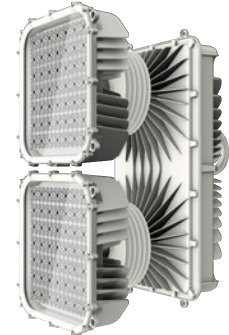


Product Description

- Best Technology to get high efficacy and less glare optic performance
- Glare free from Narrow beam reflector
- Flicker free proven upto 1,500 fps ultra slow-motion
- High CRI & R9 Content better visibility
- Linkage with wired and wireless control system even for event light control



Application

- Sports Stadium
- Indoor Venues
- Port




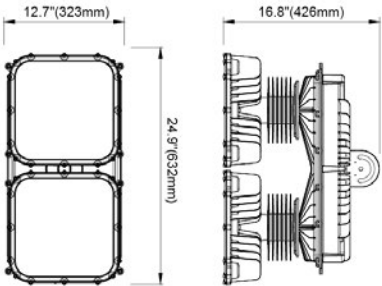
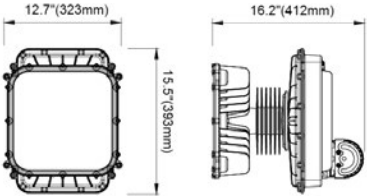
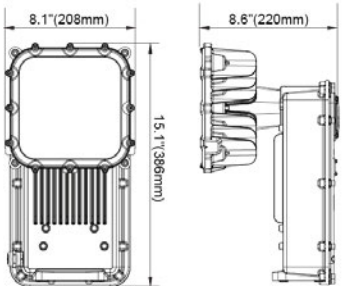
Certification

- UL / FCC
- DLC
- PSE
- KC

SUFA-X Series Specifications

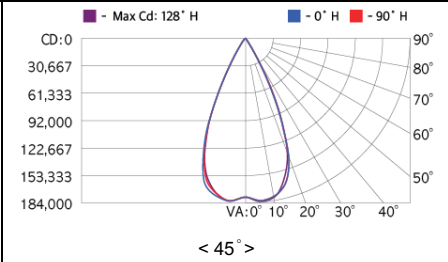
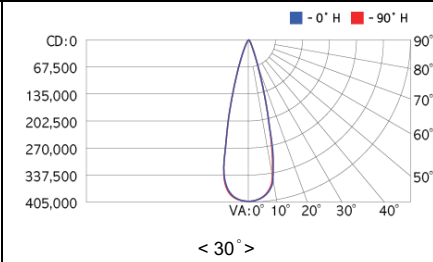
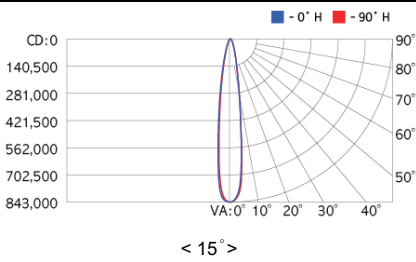
Model Name	SFX1K0		SFX600		SFX500		SFX200	
Power Consumption	1000W		600W		500W		200W	
CCT	5000K (5700K / 4000K / 3000K available)							
Luminous Flux * (lm)	105,000	110,000	63,000	66,000	52,500	55,000	21,000	22,000
Luminous Efficacy * (lm/W)	105	110	105	110	105	110	105	110
CRI	80 Ra	70 Ra	80 Ra	70 Ra	80 Ra	70 Ra	80 Ra	70 Ra
LED Driving Current	769 mA		923 mA		769 mA		307.7 mA	
Light Distribution	45° / 30° / 15°							
Input Voltage	200 ~ 277 Vac 347 ~ 480 Vac		200 ~ 277 Vac / 347 ~ 480 Vac				100 ~ 277 Vac 347 ~ 480 Vac	
Input Current	Max. 6.0A (@200 Vac)		Max. 3.5A (@200 Vac)		Max. 3.0A (@200 Vac)		Max. 2.5A (@100 Vac)	
	Max. 3.8A (@347 Vac)		Max. 2.2A (@347 Vac)		Max. 1.9A (@347 Vac)		Max. 0.75A (@347 Vac)	
Light Distribution	45° / 30° / 15°							
Power Factor	≥0.9 at Max load							
Frequency	50 / 60 Hz							
Surge Protection	Line – Line 20kV, Line – FG 20kV							
Driver Type	Constant Current (CC)							
Fixture Manufacturer	GigaTera Inc. / Made in Korea							
Size	inch	12.7 x 24.9 x 16.8		12.7 x 15.5 x 16.2		8.1 x 15.1 x 8.6		
	mm	323 x 632 x 426		323 x 393 x 412		208 x 386 x 220		
Weight (Driver included)	70.6 lb / 32.0 kg		36.6 lb / 16.6 kg		16.5 lb / 7.5 kg			
Material	Body	Cast Aluminum						
	Optic	AL Coating Reflector						
	Cover	Tempered Glass 3.2T (Clear), Anti UV & Dust, Shatter Proof						
Finish	Powder Coating							
IP Rating	IP66							
Operating Temperature	-22°F ~ 131°F -30°C ~ 55°C					-22°F ~ 140°F -30°C ~ 60°C		
Option	Control	Wireless (ZigBee) / Wired (RS-485, DMX-512)						
	Mounting	Swivel Bracket		-				
	Cover Protection	-		Stainless steel wire mesh for glass protection				
Warranty	5 Years (12 hours usage per day)							

* Tolerance : ± 5%

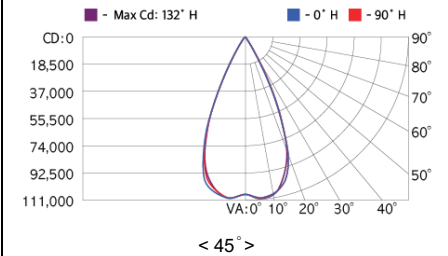
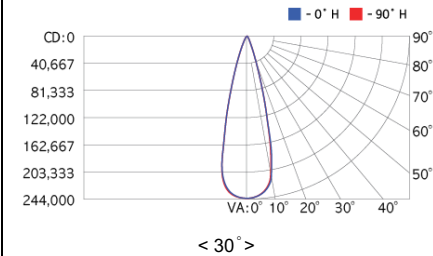
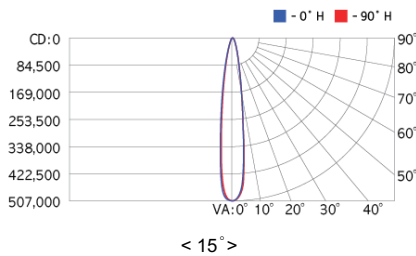
SUFA-X 1000W		SUFA-X 600W / 500W		SUFA-X 200W	
					
					
Size	12.7 x 24.9 x 16.8 (inch) 323 x 632 x 426 (mm)	Size	12.7 x 15.5 x 16.2 (inch) 323 x 393 x 412 (mm)	Size	8.1 x 15.1 x 8.6 (inch) 208 x 386 x 220 (mm)

Photometry Data

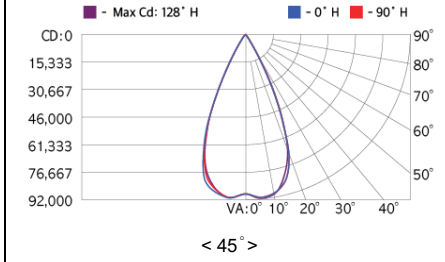
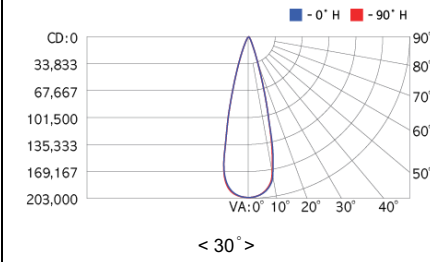
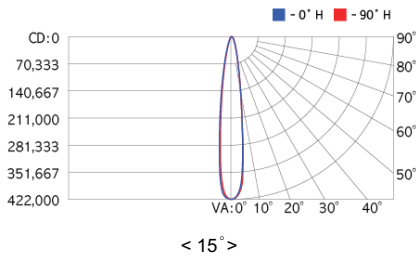
SFX1K0 / 5000K / 80Ra



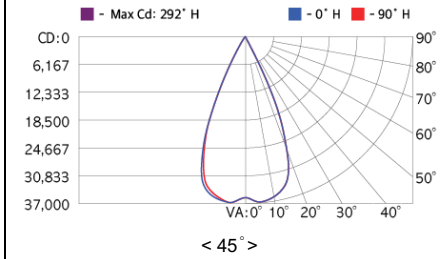
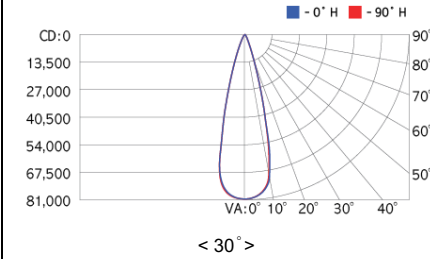
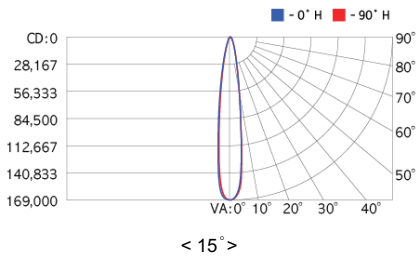
SFX600 / 5000K / 80Ra



SFX500 / 5000K / 80Ra




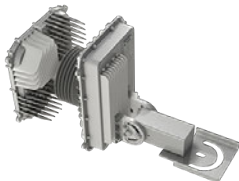

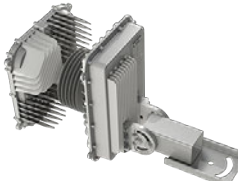

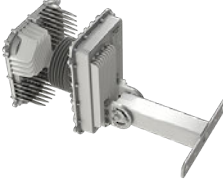



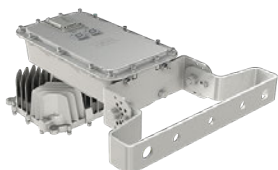

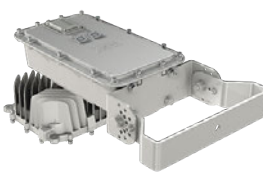

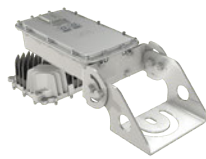
SFX200 / 5000K / 80Ra



Control System (Optional)

ZigBee	Wireless Control	
Input Voltage	15 Vdc	
Max. Power Consumption	0.3W (@15 Vdc)	
Standard	2.4 GHz – IEEE 802.15.4 (Compatible)	
Network	Mesh	
RF Tx Power	Max. +8 dBm (Typ. 5 dBm)	
Data Rate	250 kbps	
Security	128 bit AES Encryption Algorithms	
Antenna	Omni Type, 2 dBi	
Wired Control	RS-485	DMX-512
Input Voltage	15 Vdc	
Max. Power Consumption	0.2W (@15 Vdc)	
Communication Method	RS-485	DMX-512
Data Rate	115,200 bps, 8-N-1	250,000 bps, 8-N-2

Mount Bracket Installation Reference (Optional)

SFX600 / SFX500			
KETBKTLC13G1007		KMDLMBK010430	
	KETBKTLC13G1007 		KMDLMBK010430 
KETBKTLC13G1002			
	KETBKTLC13G1002 		
SFX200			
KETBKTLC13G1004		KETBKTLC13G1001	
	Swivel Bracket (Up:90° / Down: 90°) 		Swivel Bracket (Up:90° / Down: 90°) 
KETBKTLC13G1006		KMDLMBK010470	
	Tilt and Rotate Bracket 		Surface Mount Bracket 

Ordering Information		Ordering Code Usage : SFX600-H500458N					
SFX	○○○	-	○	○○	○○○	○	○
	Power Consumption		Input Voltage	CCT (K)	Beam Angle	CRI	Control System
	1K0 = 1000W 600 = 600W 500 = 500W 200 = 200W		A = 100 ~ 277V C = 347 ~ 480V H = 200 ~ 277V	57 = 5700K 50 = 5000K 40 = 4000K 30 = 3000K	045 = 45° 030 = 30° 015 = 15°	8 = 80 Ra 7 = 70 Ra	Z = Wireless (ZigBee) W = Wired (RS-485) M = Wired (DMX-512) N = None