



PRODUCT DESCRIPTION

DLC Premium
 High Efficacy Fixture (125 lm/W)
 Easy Replacement & Installation
 Optimal Uniformity

APPLICATIONS

Office / Retail / Classrooms / Health & Elderly Care

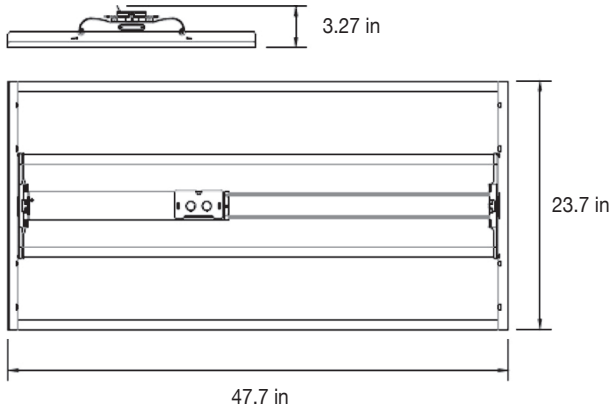
SPECIFICATIONS

| | |
|-------------------------------|--|
| Model Name | BT24-040 |
| Power Consumption* | 38.9 W |
| Correlated Color Temperature* | 5,000 K |
| Light Output* | 4,968 lm |
| Efficacy* | 128 lm/W |
| Color Rendering Index | 87 CRI |
| Beam Angle | 115° |
| LED Chip Manufacturer | SAMSUNG |
| Fixture Manufacturer | Samjin / Made in Korea |
| Input Voltage | 120~277 Vac |
| Total Harmonic Distortion | ~ 10% |
| Power Factor | ≥ 0.9 at Max Load |
| Input Frequency | 50 / 60 Hz |
| Size (L x W x H) | 47.7 x 23.7 x 3.27 (in) |
| Weight (Including Driver) | 16.9 lb |
| IP Rating | IP20 |
| Mounting Option | Recessed Troffer (2x4) |
| Operating Temperature | 14°F ~ 122°F (-10°C ~ 50°C) |
| Limited Warranty | 7 Years (Refer to website for details) |

CERTIFICATIONS



DIMENSIONS



Options

| | |
|-----------------|---|
| Control Options | 0-10V Dimming (On/Off Operation Compatible) |
|-----------------|---|

*Tolerance: ± 5%

ORDERING INFORMATION

Order Code Example : **BT24-040ZT50SUS**

| BT24 | - | 040 | ZT | 50 | S | US |
|----------------|---|-------|---------------|-------|-----------------|--------|
| PRODUCT FAMILY | | POWER | CONTROL | CCT | LED CHIP | REGION |
| Beetle 2x4 | | 40W | 0-10V Dimming | 5000K | Higher Efficacy | US/CAN |