



PRODUCT DESCRIPTION

DLC Premium
 High efficacy fixture
 Easy replacement & installation
 Optimal uniformity

APPLICATIONS

Office / Retail / Classrooms / Health & Elderly Care

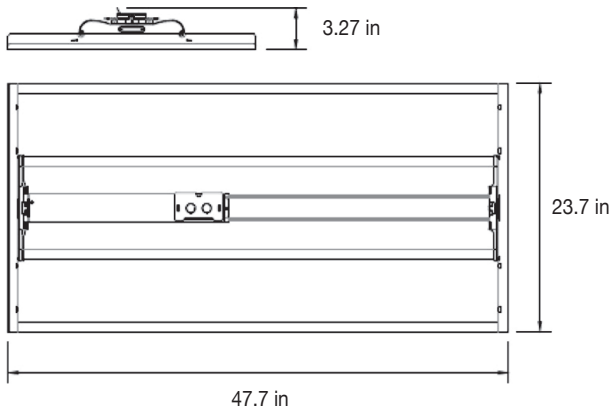
SPECIFICATIONS

Model Name	BT14-032		
Power Consumption*	31 W	32 W	32 W
Correlated Color Temperature*	4,000 K	5,000 K	Tunable (2,700 ~ 6,500 K)
Light Output*	3,748 lm	3,214 lm	3,350 lm
Efficacy*	119 lm/W	100 lm/W	105 lm/W
Color Rendering Index	87 CRI		
Beam Angle	115°		
LED Chip Manufacturer	SAMSUNG		
Fixture Manufacturer	Samjin / Made in Korea		
Input Voltage	120~277 Vac		
Total Harmonic Distortion	Max 20%		
Power Factor	≥ 0.9 at Max Load		
Input Frequency	50 / 60 Hz		
Size (L x W x H)	47.7 x 23.7 x 3.3 (in)		
Weight (Including Driver)	16.9 lb		
IP Rating	IP20		
Mounting Option	Recessed Troffer (2x4)		
Operating Temperature	14°F ~ 122°F (-10°C ~ 50°C)		
Limited Warranty	7-Year Warranty (Terms and Conditions Apply)		

CERTIFICATIONS



DIMENSIONS



Options

Control Options	CCT Tunable & Dimming, Dimming, 0-10V Dimming
-----------------	---

Accessories (Ordered Separately)

Wall Controller	Required per area for SK and SD models
Sensors	Occupancy

*Tolerance: ± 5%

ORDERING INFORMATION

Order Code Example : **BT14-032SKCT-USR4**

BT14	-	032	XX	XX	-	USR4
PRODUCT FAMILY		POWER	CONTROL	CCT		FIXTURE SIZE
Beetle		32W	SK = CCT Tunable & Dimming SD = Dimming (used with Samjin Wall Cont.) DM = 0-10V Dimming	CT = 2700~6500K 40 = 4000K 50 = 5000K		2x4