



**PRODUCT DESCRIPTION**

DLC Premium  
 High efficacy fixture  
 Easy replacement & installation  
 Optimal uniformity

**APPLICATIONS**

Office / Retail / Classrooms / Health & Elderly Care

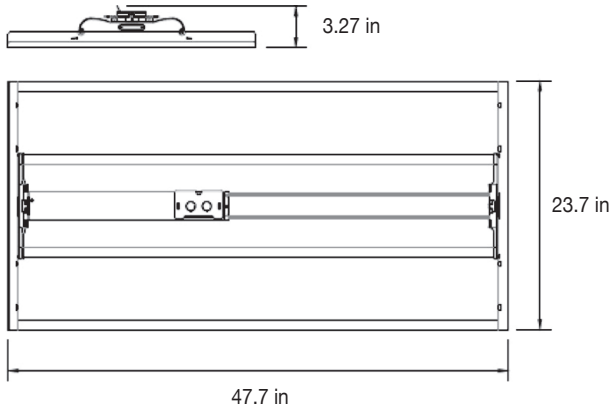
**SPECIFICATIONS**

Model Name	BT14-024		
Power Consumption*	24 W	24 W	24 W
Correlated Color Temperature*	4,000 K	5,000 K	Tunable (2,700 ~ 6,500 K)
Light Output*	2,897 lm	2,547 lm	2,650 lm
Efficacy*	119 lm/W	106 lm/W	110 lm/W
Color Rendering Index	85 CRI		
Beam Angle	115°		
LED Chip Manufacturer	SAMSUNG		
Fixture Manufacturer	Samjin / Made in Korea		
Input Voltage	120~277 Vac		
Total Harmonic Distortion	Max 20%		
Power Factor	≥ 0.9 at Max Load		
Input Frequency	50 / 60 Hz		
Size ( L x W x H )	47.7 x 23.7 x 3.3 (in)		
Weight (Including Driver)	16.9 lb		
IP Rating	IP20		
Mounting Option	Recessed Troffer (2x4)		
Operating Temperature	14°F ~ 122°F (-10°C ~ 50°C)		
Limited Warranty	7-Year Warranty (Terms and Conditions Apply)		

**CERTIFICATIONS**



**DIMENSIONS**



**Options**

Control Options	CCT Tunable & Dimming, Dimming, 0-10V Dimming
-----------------	---

**Accessories (Ordered Separately)**

Wall Controller	Required per area for SK and SD models
Sensors	Occupancy

\*Tolerance: ± 5%

**ORDERING INFORMATION**

Order Code Example : **BT14-024SKCT-USR4**

BT14	-	024	XX	XX	-	USR4
PRODUCT FAMILY		POWER	CONTROL	CCT		FIXTURE SIZE
Beetle		24W	<b>SK</b> = CCT Tunable & Dimming <b>SD</b> = Dimming (used with Samjin Wall Cont.) <b>DM</b> = 0-10V Dimming	<b>CT</b> = 2700~6500K <b>40</b> = 4000K <b>50</b> = 5000K		2x4