



PRODUCT DESCRIPTION

Cost effective, high quality high bay
 Excellent cooling structure
 Surface, pipe, chain mounting options (See APO sheet)
 Optional shade to reduce beam angle from 120° to 80° and add 15% uplight

APPLICATIONS

Warehouse / Food Processing / Industrial / Gymnasium

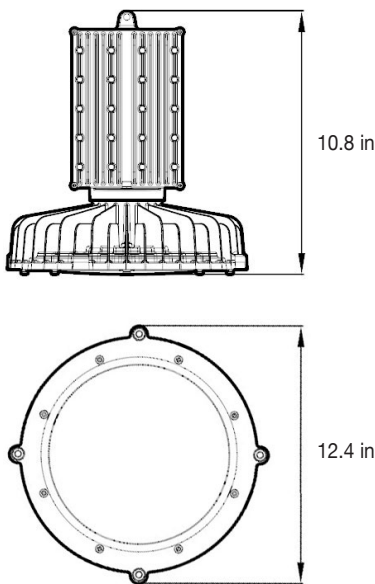
SPECIFICATIONS

Model Name	EFL130	
Power Consumption*	136 W	133 W
Correlated Color Temperature*	4,000K	5,000K
Light Output*	15,382 lm	16,806 lm
Efficacy*	113 lm/W	127 lm/W
Color Rendering Index	83 CRI	
Beam Angle	120° (80° with shade)	
LED Chip Manufacturer	SAMSUNG	
Fixture & Driver Manufacturer	KMW Inc.	
Input Voltage	100~277 Vac	
Total Harmonic Distortion	< 10%	
Power Factor	≥ 0.9 at Max Load	
Frequency	50 / 60 Hz	
Surge Protection	Line-Line 2KV, Line-FG 4KV	
Size (D x H)	12.4 x 10.8 (in)	
Weight (Including Driver)	10.8 lb	
Material	Body	Cast Aluminum
	Cover	Polycarbonate 3.0T (Diffuser)
Finish	Anodized Grey	
IP Rating	IP65	
Operating Temperature	-22°F ~ 140°F (-30°C ~ 60°C)	
Limited Warranty	5 Years (Refer to website for details)	

CERTIFICATIONS



DIMENSIONS



Options

Control Options	On/Off, 1~10V
Mounting Options	Chain, or Pipe/Surface Mount (See APO Sheet)

*Tolerance: ± 5%

ORDERING INFORMATION

Order Code Example: **EFL130-A50120TNSM**

EFL	130	-	A	XX	XXX	XX	XX
	POWER		INPUT VOLTAGE	CCT (K)	BEAM ANGLE	CONTROL SYSTEM	MOUNTING
	130W		100~277V	40 = 4000K 50 = 5000K	080 = 80° 120 = 120°	NN = None TN = 1-10V	SM = Surface Mount CN = Chain Mount