



PRODUCT DESCRIPTION

Glare-free, high efficiency lighting
Optimal uniformity
Easy replacement & installation

APPLICATIONS

Sports Arena / Warehouse / Superstore / Factory / Airport / Gym

SPECIFICATIONS

Model Name	IBL130	
Power Consumption*	130 W	130 W
Correlated Color Temperature*	4,000 K	5,000 K
Light Output*	13,006 lm	13,684 lm
Efficacy*	100 lm/W	105 lm/W
Color Rendering Index	80 CRI	
Beam Angle	80° or 130°	
LED Chip Manufacturer	SAMSUNG	
Fixture & Driver Manufacturer	KMW Inc. / Made in Korea	
Input Voltage	100~277 Vac	
Total Harmonic Distortion	Max 20%	
Power Factor	≥ 0.9 at Max Load	
Input Frequency	50 / 60 Hz	
Surge Protection	Line-Line 2KV, Line-FG 4KV	
Size (L x W x H)	46.5 x 14.7 x 4.5 (in)	
Weight (Including Driver)	15.2 lb	
Material	Body	Aluminum
	Optic	White Reflector
	Cover	Polycarbonate (Clear)
Finish	Anodized Grey	
IP Rating	IP20	
Mounting Option	Wire Pendant	
Operating Temperature	14°F ~ 131°F (-10°C ~ 50°C)	
Limited Warranty	10 Years (Refer to website for details)	

Options

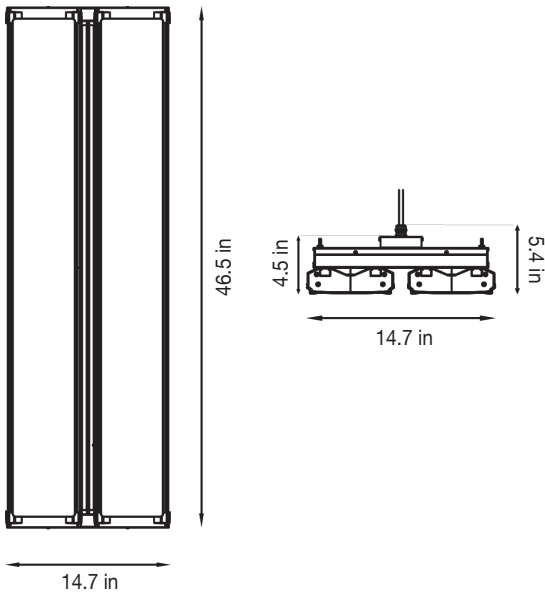
Control Options	On/Off, 1~10V, Wireless (Zigbee)
-----------------	----------------------------------

*Tolerance: ± 5%

CERTIFICATIONS



DIMENSIONS



ORDERING INFORMATION

Order Code Example : **IBL130-A401208PUN**

IBL	130	-	A	XX	12	XX	P	U	X
	POWER		INPUT VOLTAGE	CCT (K)	LENGTH	BEAM ANGLE	MOUNTING	REGION	CONTROL SYSTEM
	130W		100~277V	40 = 4000K 50 = 5000K	4 ft (1.2 m)	08 = 80° 13 = 130°	Wire Pendant	US/CAN	N = None (On/Off) T = 1-10V Z = Wireless (Zigbee)