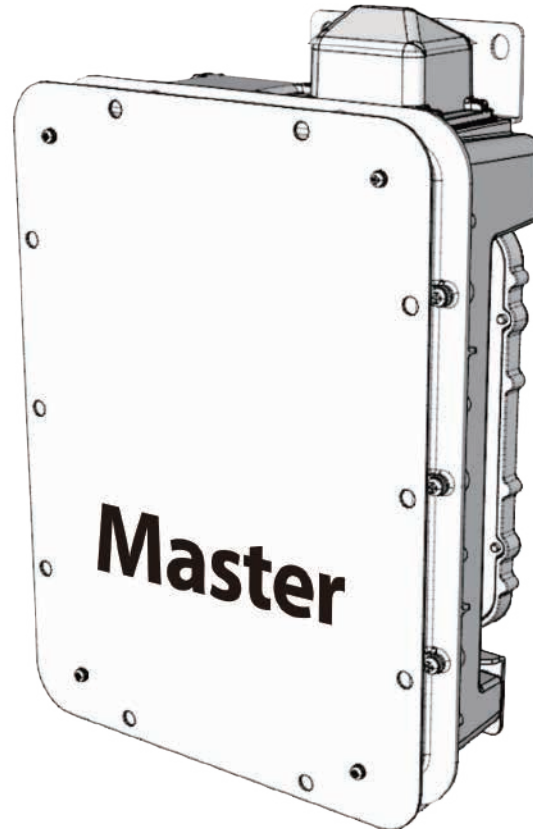


Model : Master



Safety Precautions (1/2)

Product installation and handling

01. Electrical work must be performed by **a qualified and licensed electrician**.
02. Be sure to perform the construction and grounding work in accordance with the technical standards and instruction manual.
03. Make sure to ground the product and mounting platform properly. Incomplete grounding may cause product damage, electric shock or fire.
04. In order to prevent the danger of electric shock, cut off the main power and confirm that there is no leakage current before installing.
05. Make sure to turn off the power so there is no leakage current when binding the LED fixture.
There is a possibility of LED chip damage due to no-load voltage.
06. **Do not install damaged product!** This luminaire has been properly packed so that no parts should have been damaged during transit . Inspect to confirm. Any part damaged or broken during or after assembly should be replaced.



Model : Master

Safety Precautions (2/2) Product installation and handling



WARNING RISK OF ELECTRIC SHOCK

- Disconnect or turn off power before installation or servicing.
- Verify that supply voltage is correct by comparing it with the luminaire label information.
- Make all electrical and grounded connections in accordance with the National Electrical Code (NEC) and any applicable local code requirements.
- All wiring connections should be capped with UL approved recognized wire connectors.



WARNING RISK OF BURN

- Allow lamp/fixture to cool before handling. Do not touch enclosure or light source.
- Do not exceed maximum wattage marked on luminaire label.
- Follow all manufacturer's warnings, recommendations and restrictions for: driver type, burning position, mounting locations/methods, replacement and recycling.



CAUTION RISK OF INJURY

- Wear gloves and safety glasses at all times when removing luminaire from carton, installing, servicing or performing maintenance.
- Avoid direct eye exposure to the light source while it is on.



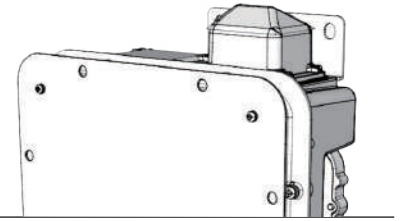
CAUTION RISK OF FIRE

- Keep combustible and other materials that can burn, away from lamp/lens.
- Do not operate in close proximity to persons, combustible materials or substances affected by heat or drying.

Master

Installation Guide

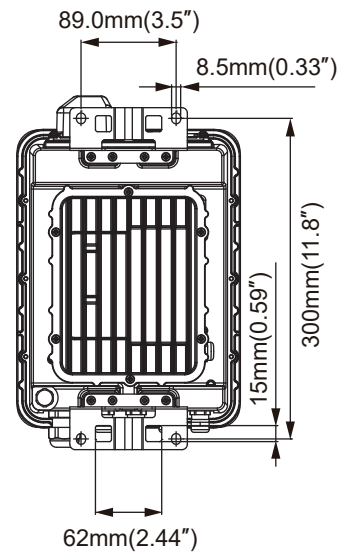
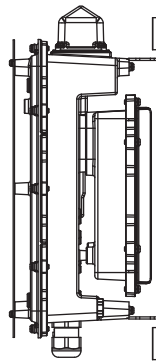
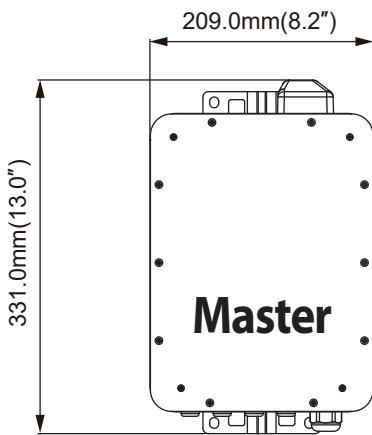
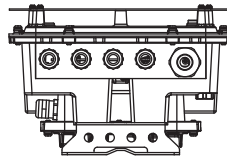
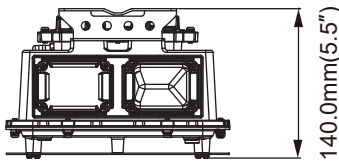
Model : Master



Product Dimension

Master

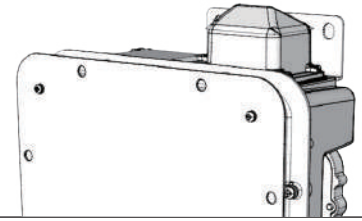
- Size : 209mm x 331mm x 140mm / 8.2" x 13.0" x 5.5"
- IP Rate : IP65



Master

Installation Guide

Model : Master

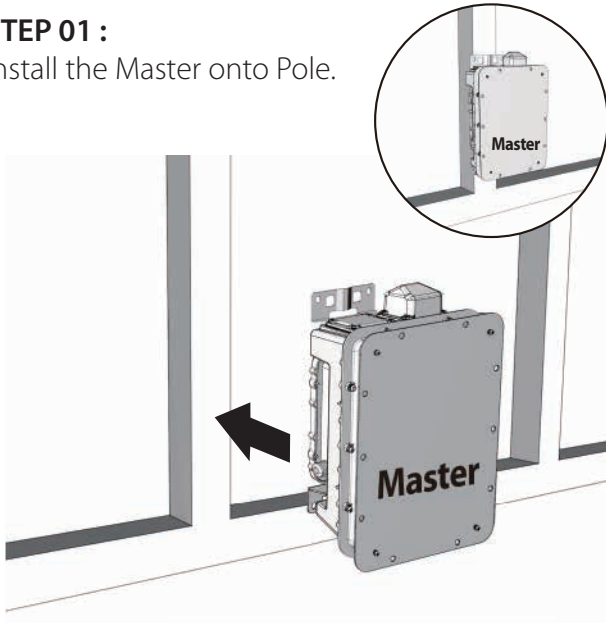


Installation Instruction (1/2)

Master

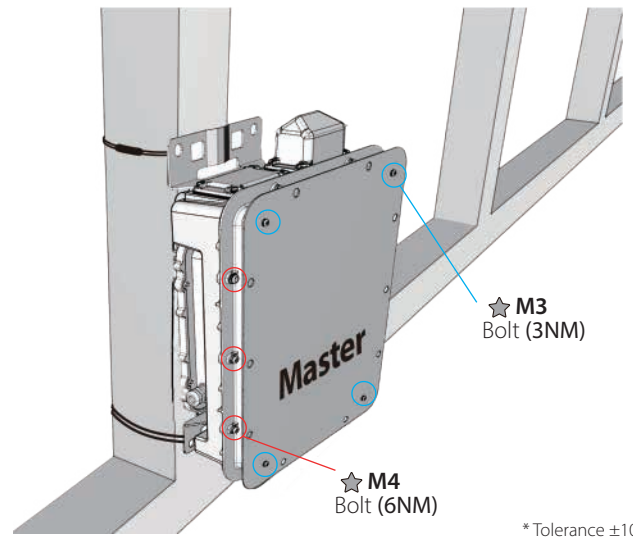
STEP 01 :

Install the Master onto Pole.



STEP 02 :

Install Master via using Wire Band.
(Wire Band not included with Product)



STEP 03 :

Open top case of product and connect RS-485 terminal.

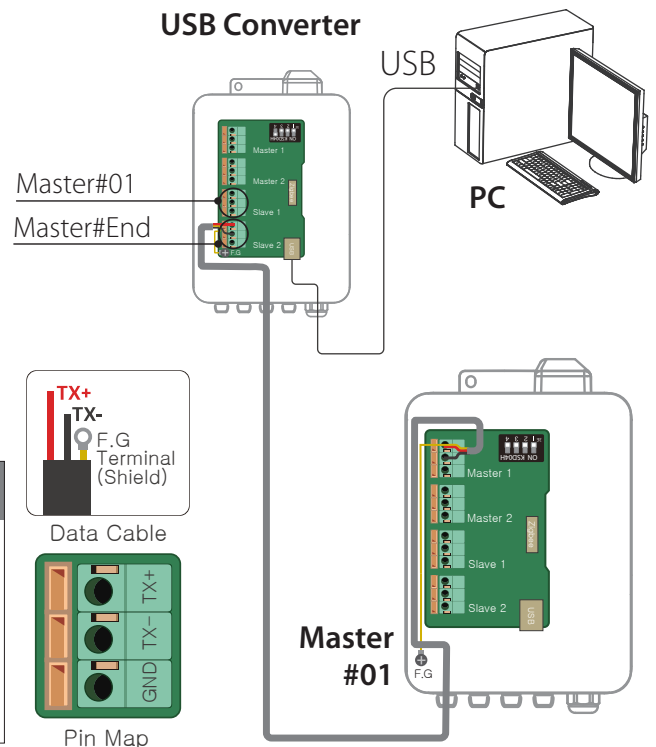
STEP 04 :

USB Converter and Master connection

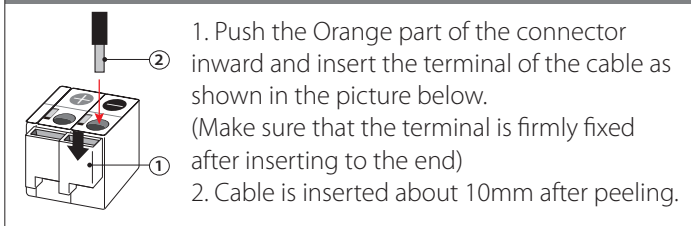
- Connect the Slave terminal of the USB Converter and Master terminal of Master Unit.
- The terminals 1 and 2 of each terminal have the same function and can be connected in any order.
- Connect the same signal to each terminal (TX+:TX+, TX-:TX-)
- Be careful not to change the + and -

STEP 05 :

Assembling Shield cable to the Terminal.



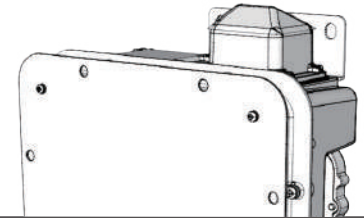
USB Converter to Master wired connection guide



Master

Installation Guide

Model : Master



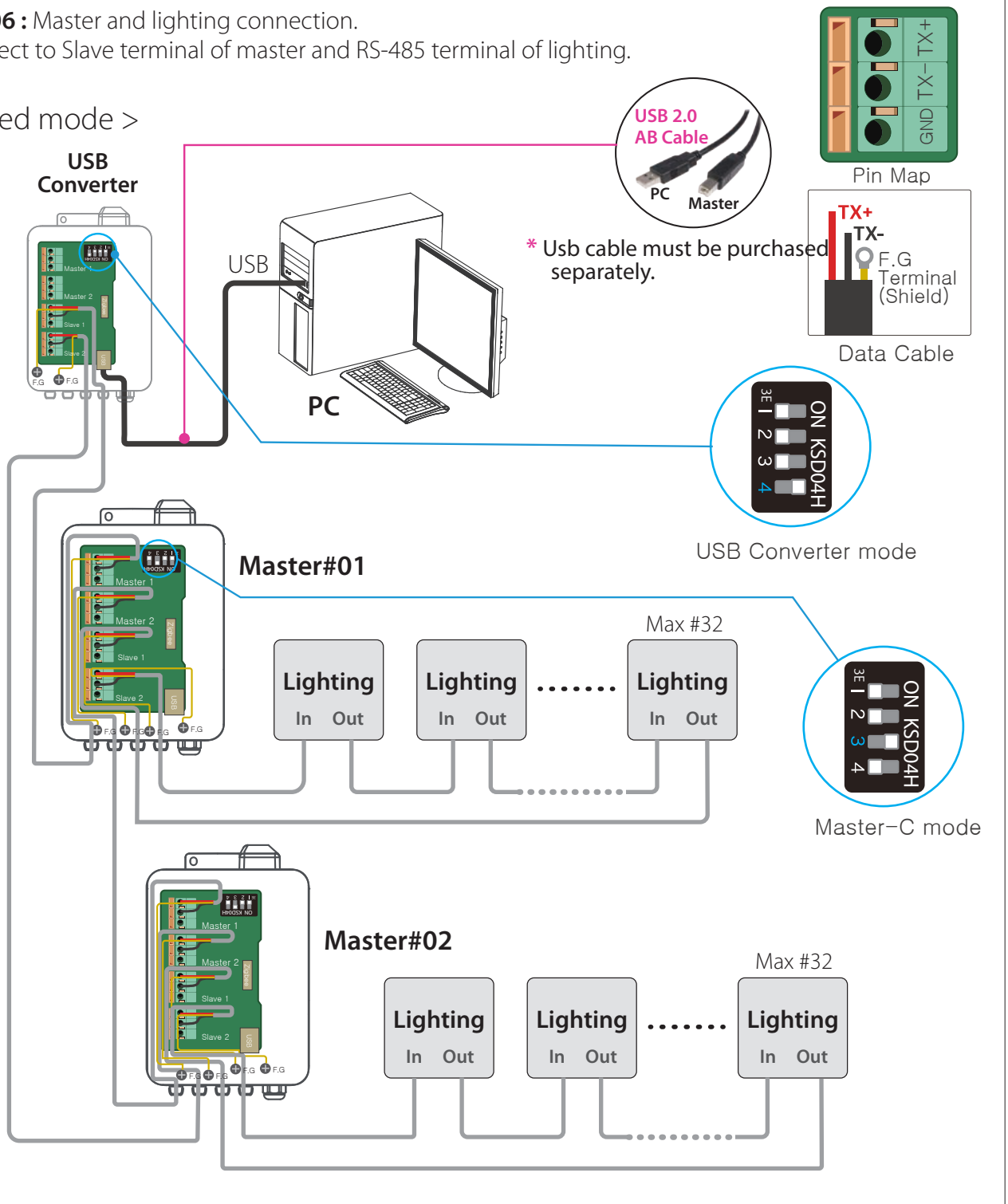
Installation Instruction (2/2)

Master

STEP 06 : Master and lighting connection.

- Connect to Slave terminal of master and RS-485 terminal of lighting.

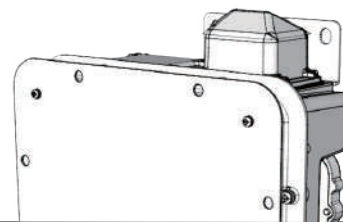
< Wired mode >



Master

Installation Guide

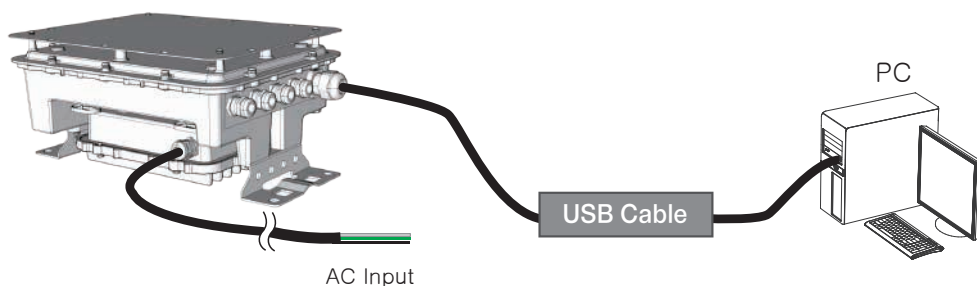
Model : Master



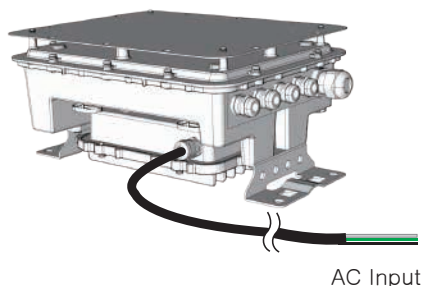
Appendix

System Configuration

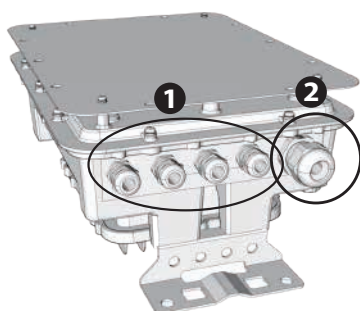
USB Converter Mode



Master Unit Mode



Cable Grand Torque Specification



1 Cable grand: M16
Torque: 3Nm
Range: 4-10mm

***Cable Size: 7mm**

Rs-485 cable Recommendation for Use
Belden 3105 / NEXANS 697409

2 Cable grand: PG16
Torque: 8Nm
Range: 4.3-6.1mm

Inside the Master

