



PRODUCT DESCRIPTION

- Tilt and rotatable for easy aiming and optimized uniformity
- Stable cooling structure that points the heat release
- Boosted installation efficiency thanks to the slimmed-down product
- High CRI & R9 Content better visibility
- Linkage with wired control system even for event light control
- Color tunable (4,000 K~5,700 K)

APPLICATIONS

- Sports Stadium
- Indoor Venues

CERTIFICATION



SPECIFICATIONS

Model Name	GT400									GT400 (Warm/Cool)		
Power Consumption	400 W									400 W		
CCT	5,700 K			5,000 K			4,000 K			Color tunable (4,000 K~5,700 K)		
Light Output* (lm)	38,000	42,000	46,000	40,000	44,000	48,000	36,000	40,000	44,000	32,000	36,000	
Efficacy* (lm/W)	95	105	115	100	110	120	90	100	110	80	90	
CRI	90 Ra	80 Ra	70 Ra	90 Ra	80 Ra	70 Ra	90 Ra	80 Ra	70 Ra	90 Ra	80 Ra	
LED Driving Current	1,080 mA											
Light Distribution	45° / 30° / 15°											
Input Voltage	200-277 Vac											
Input Current	Max 2.5 A (@200 Vac) / Max 1.6 A (@347 Vac)											
Driver Type	Constant Current (CC)											
Weight	SFM	8.0 kg / 17.6 lb										
	Driver	7.1 kg / 15.7 lb									10.0 kg / 22.0 lb	
Material	Body	Cast aluminum										
	Optic	Aluminum coating reflector										
	Cover	Tempered glass 3.2 T (Clear), Anti UV & dust, shatter proof										
Finish	Powder coating											
IP Rating	IP66											
Operating Temperature	-30°C~-50°C (-22°F~122°F)											
Option	Control	Wired (RS-485, DMX-512)										
Warranty	5 Years (12 hours usage per day)											

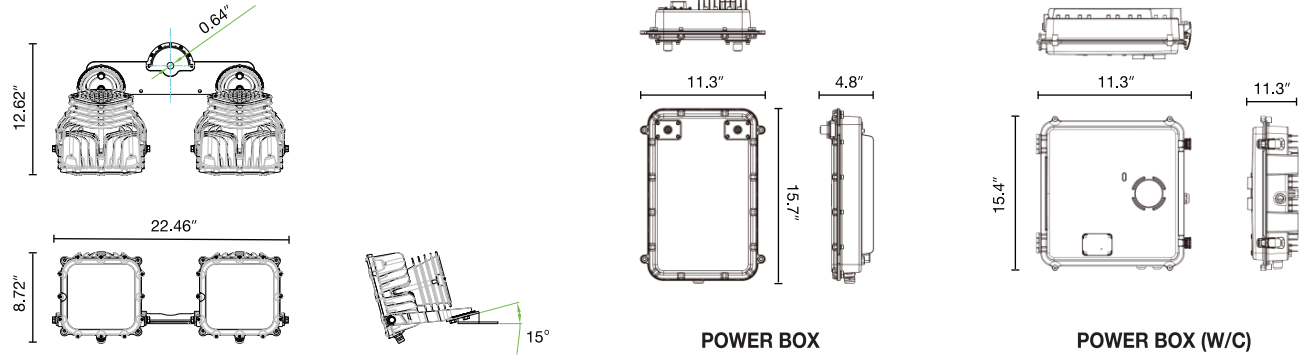
*Tolerance: ±10%

ORDERING INFORMATION

Order Code Example: **GT400-BCTWR0458**

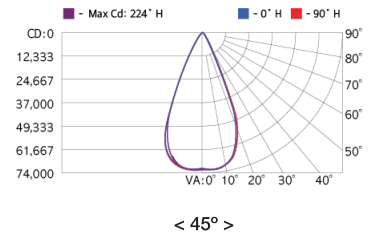
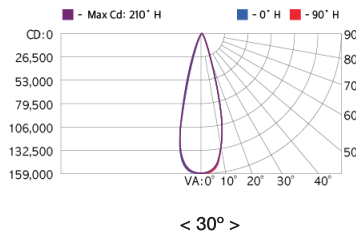
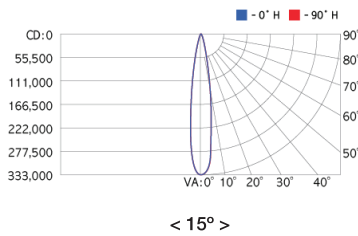
GT	400	-	B	XX	XX	XXX	X
	POWER CONSUMPTION		INPUT VOLTAGE	CCT	CONTROL SYSTEM	BEAM ANGLE	CRI
	400 = 400 W		B = 200-277 V	57 = 5,700 K 50 = 5,000 K 40 = 4,000 K 30 = 3,000 K CT = Color Tunable (4,000 K~5,700 K)	WR = Wired (RS-485) WD = Wired (DMX-512) NA = None	045 = 45° 030 = 30° 015 = 15°	9 = 90 Ra 8 = 80 Ra 7 = 70 Ra

DIMENSIONS



PHOTOMETRICS

GT400 / 5,000 K



CONTROL SYSTEM (Optional)

Wired Control	RS-485	DMX-512
Input Voltage	15 Vdc	15 Vdc
Max Power Consumption	0.2 W (@15 Vdc)	0.2 W (@15 Vdc)
Communication Method	RS-485	DMX-512
Data Rate	115,200 bps, 8-N-1	250,000 bps, 8-N-2