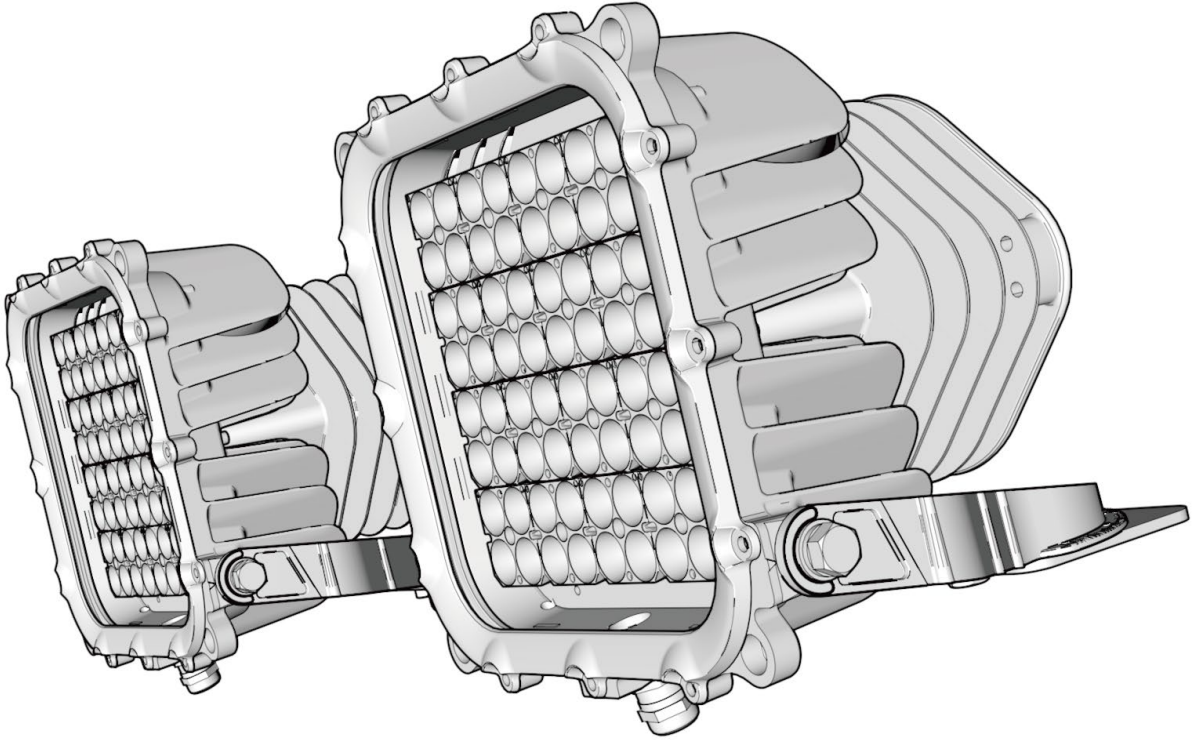


Model : SUFA-M 400W



## Safety Precautions (1/2)

### Product installation and handling

01. Electrical work must be performed by **a qualified and licensed electrician.**
02. Be sure to perform the construction and grounding work in accordance with the technical standards and instruction manual.
03. Make sure to ground the product and mounting platform properly. Incomplete grounding may cause product damage, electric shock or fire.
04. In order to prevent the danger of electric shock, cut off the main power and confirm that there is no leakage current before installing.
05. Make sure to turn off the power so there is no leakage current when binding the LED fixture. There is a possibility of LED chip damage due to no-load voltage.
06. **Do not install damaged product!** This luminaire has been properly packed so that no parts should have been damaged during transit . Inspect to confirm. Any part damaged or broken during or after assembly should be replaced.



Model : SUFA-M 400W

## Safety Precautions (2/2) Product installation and handling



### WARNING RISK OF ELECTRIC SHOCK

- Disconnect or turn off power before installation or servicing.
- Verify that supply voltage is correct by comparing it with the luminaire label information.
- Make all electrical and grounded connections in accordance with the National Electrical Code (NEC) and any applicable local code requirements or International Electro technical Commission (IEC)/EU standards.
- All wiring connections should be capped with UL/CE/IEC or locally approved recognized wire connectors



### WARNING RISK OF BURN

- Allow lamp/fixture to cool before handling. Do not touch enclosure or light source.
- Do not exceed maximum wattage marked on luminaire label.
- Follow all manufacturer’s warnings, recommendations and restrictions for : driver type, burning position, mounting locations/methods, replacement and recycling.



### CAUTION RISK OF INJURY

- Wear gloves and safety glasses at all times when removing luminaire from carton, installing, servicing or performing maintenance.
- Avoid direct eye exposure to the light source while it is on.



### CAUTION RISK OF FIRE

- Keep combustible and other materials that can burn, away from lamp/lens.
- Do not operate in close proximity to persons, combustible materials or substances affected by heat or drying.

# SUFA-M Series

# Installation Guide

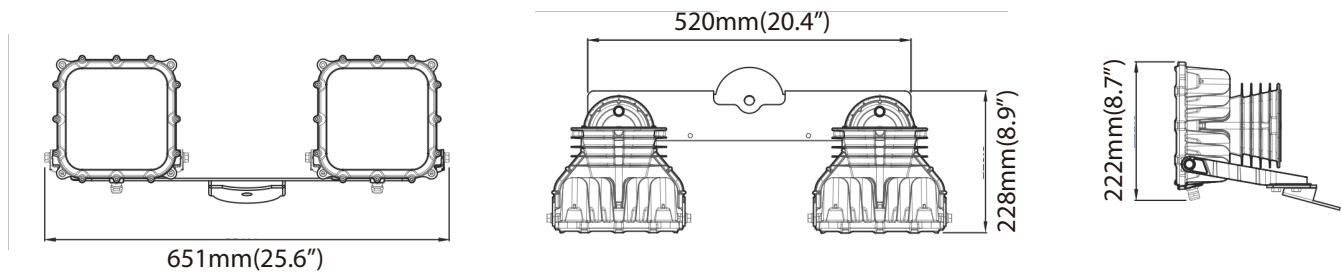
Model : SUFA-M 400W

## Product Dimension

SFM 400W

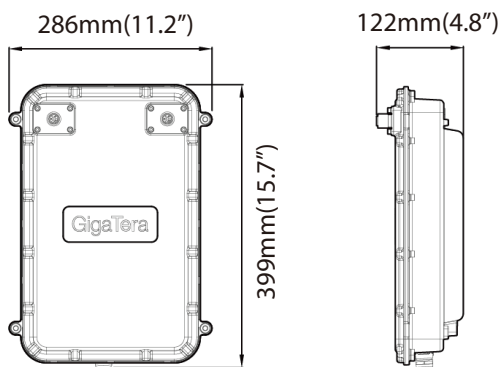
### < SFM400W >

- Size : 20.4 x 8.9 x 8.7 (inch) / 520 x 228x 222 (mm)
- Weight : 17.1 lb / 7.8 Kg
- IP Rate : IP66

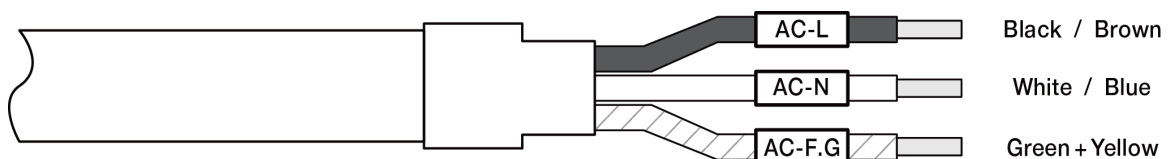


### < Driver >

- Size : 4.8 x 11.2 x 15.7 (inch) / 122 x 286x 399 (mm)
- Weight : 15.6 lb / 7.1 Kg
- IP Rate : IP66



## AC Cable

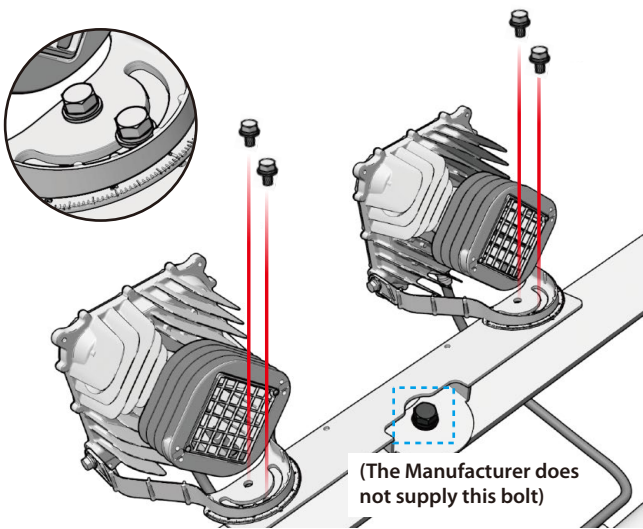


Model : SUFA-M 400W

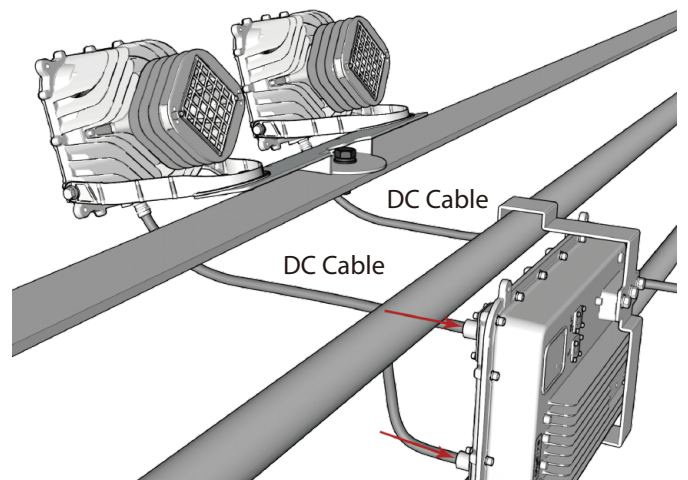
## Installation Instruction (1/2)

**STEP 01 :** Assemble LED fixture onto fixture base, and tighten screw with nut and washer.

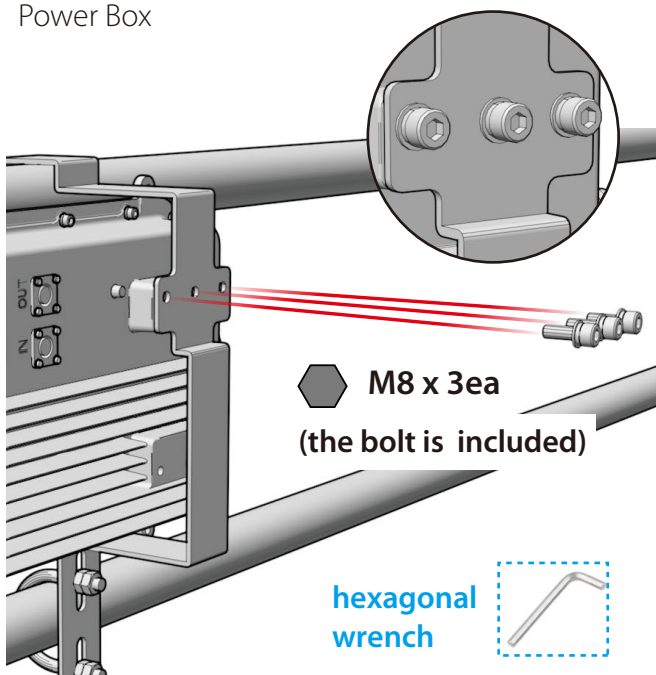
 **M8 x 4ea (the bolt is included)**



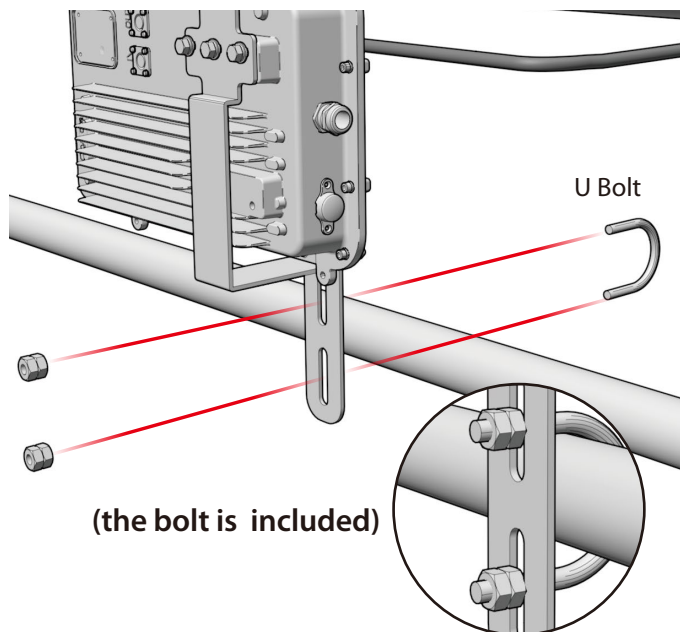
**STEP 02 :** Cable (DC) connecting to driver.



**STEP 03 :** Use the SOCKET HEAD SCREW WITH S+P WASHER to secure the bottom of the Power Box



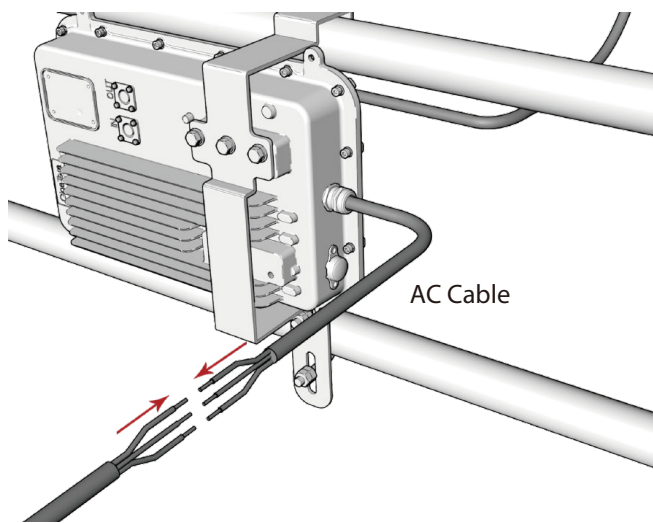
**STEP 04 :** Use the U bolt to secure the bottom of the Power Box



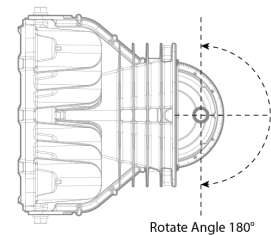
Model : SUFA-M 400W

## Installation Instruction (2/2)

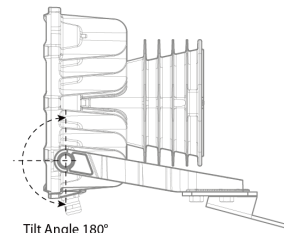
**STEP 05 :** Connect the AC power source (3P).  
\*Refer to "AC Power Cable"



**STEP 06 :** Rotate Angle : 180° / Tilt Angle : 180°



Rotate Angle 180°



Tilt Angle 180°

Model : SUFA-M 400W

**Installation Instruction****AC Cable Connection Guide****※ Caution / Warning**

- The power line is reliably connected with a sleeve or the like. In addition, the insulation tape and self-sealing tape are used to reliably insulated and completely waterproof. If the power cable is incompletely connected, there is a risk of product damage, electric shock or fire.
- When connecting wires, do not insulate them once, but separate them one by one. Insulate and waterproof them with insulating tape and self-sealing tape. Insufficient construction may cause product damage, poor insulation, flooding, electric shock or fire.
- When wiring, use insulation tape and self-sealing tape from the connection part of the wire to the outer sheath of the wire. Apply over three times (6 plies) of insulation and complete waterproofing. Insufficient construction may cause product damage, poor insulation, flooding, electric shock or fire.
- Insulate each end with self-sealing tape and then tap from the AC side (sheath) to the outer side of the power line. Then, wrap it with insulating tape and implement insulation and waterproofing measures.
- Make sure to insulate and waterproof the cable sheath (self-sealing tape, etc.), including the cable sheath as well as the conductor. If the insulation/waterproofing is not done properly, immersion may occur from the electric wires, resulting in product damage, poor insulation, electric shock, fire, or non-lighting.

**[ How to Connect the Power cable and AC cable ]**

- ① After connecting with a sleeve, wrap it with a self-sealing tape.
- ② In order to prevent flooding with the gap between outer part of the cap tire cable and the connecting part, wrap up the connecting part of the power supply line and the AC line with a self-sealing tape.
- ③ After wrapping it up with the self-sealing tape, use electrical tape on top of it.

**※ Precautions during construction**

Do not leave the power box and LED fixture unconnected (Multiple installation schedule and wiring is prohibited). In case of inevitable connection of the secondary side during construction, insulate the ends of the wires with insulation tape and self-sealing tape to waterproof it. If following steps are not followed, it may cause product damage, poor insulation, immersion, non-lighting, short life, or fire.

